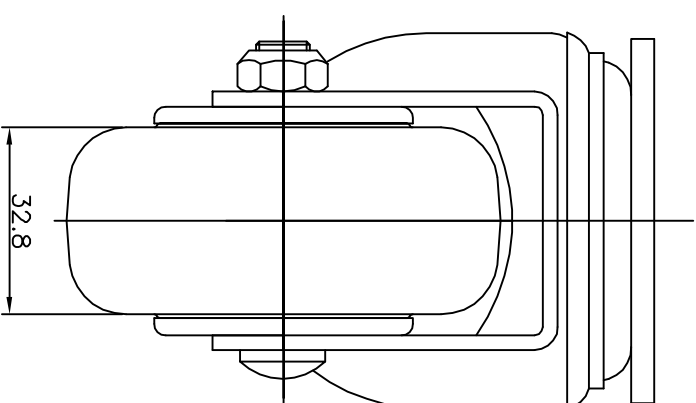
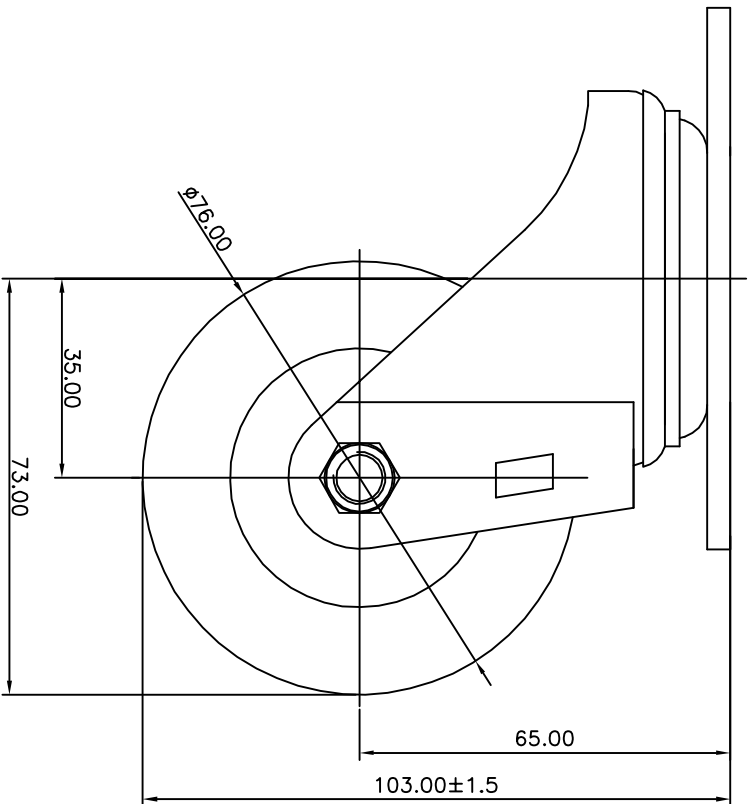
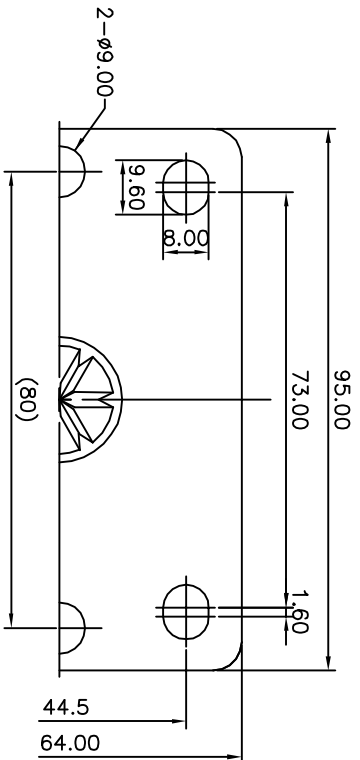


DWG NO.



NO.	NOMENCLATURE	MATERIAL	Q'TY	TREAT	REMARKS
-----	--------------	----------	------	-------	---------

△1				NAME	TP5030-01-PLY-TG-RED ASS'Y
△2				DRAWN	
△3				DESIGN	
△4				CHECKED	
△5				APPROVED	
MEMO	MEMO	DATE	SIGN	DWG NO.	
THIRD ANGLE	SCALE	1 / 1			
DRAW	DATE	2015.07.03			